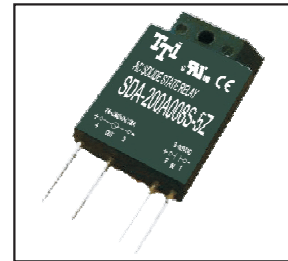


SDA SERIES SOLID STATE RELAY

**SDA-200A008S-5Z**  
**SDA-200A012S-5Z**  
**SDA-200A016S-5Z**

DC Control AC Loading S.S.R



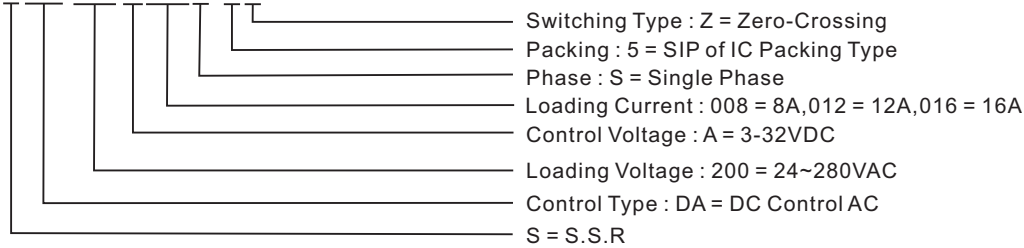
**Specifications**

| MODEL SERIES NO. | CONTROL VOLTAGE | MUST TURN OFF VOLTAGE | INPUT IMPEDANCE | LOADING CURRENT | LOADING VOLTAGE | MIN BLOCKING VOLTAGE | MAX OFF-STATE LEAKAGE | FREQUENCY RANGE | MAX 1-CYCLE PEAK SURGE |
|------------------|-----------------|-----------------------|-----------------|-----------------|-----------------|----------------------|-----------------------|-----------------|------------------------|
| SDA-200A008S-5Z  | 3 - 32 VDC      | MAX 1.0 VDC           | 1.5 KΩ          | 8A              | 24 ~ 280VAC     | 600VAC               | LESS 3 mA             | 47-70HZ         | 80A                    |
| SDA-200A012S-5Z  | 3 - 32 VDC      | MAX 1.0 VDC           | 1.5 KΩ          | 12A             | 24 ~ 280VAC     | 600VAC               | LESS 3 mA             | 47-70HZ         | 120A                   |
| SDA-200A016S-5Z  | 3 - 32 VDC      | MAX 1.0 VDC           | 1.5 KΩ          | 16A             | 24 ~ 280VAC     | 600VAC               | LESS 3 mA             | 47-70HZ         | 160A                   |

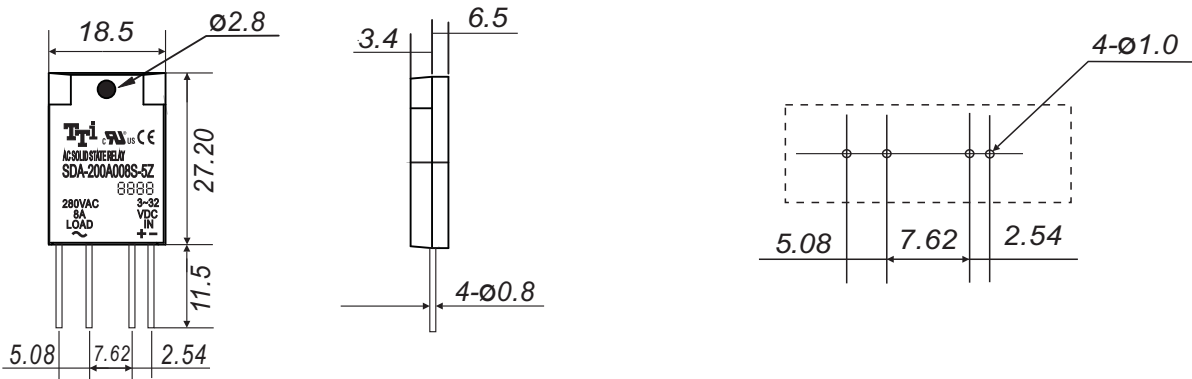
| MODEL SERIES NO. | MAX OFF STATE dv/dt | MAX ON-STATE VOLTAGE DROP | ISOLATE IMPEDENCE | DIELECTRIC STRENGTH INPUT-OUTPUT | DIELECTRIC STRENGTH INPUT-OUTPUT-CASE | TURN ON TIME | TURN OFF TIME     | CAPACITANCE IN-OUT | WEIGHT (g) |
|------------------|---------------------|---------------------------|-------------------|----------------------------------|---------------------------------------|--------------|-------------------|--------------------|------------|
| SDA-200A008S-5Z  | 200 V/μsec          | 2.0Vrms                   | 10 <sup>9</sup> Ω | 2500 VACrms                      | —                                     | LESS 2 msec  | LESS 1/2 AC CYCLE | LESS 15 PF         | 12 g       |
| SDA-200A012S-5Z  | 200 V/μsec          | 2.0Vrms                   | 10 <sup>9</sup> Ω | 2500 VACrms                      | —                                     | LESS 2 msec  | LESS 1/2 AC CYCLE | LESS 15 PF         | 12 g       |
| SDA-200A016S-5Z  | 200 V/μsec          | 2.0Vrms                   | 10 <sup>9</sup> Ω | 2500 VACrms                      | —                                     | LESS 2 msec  | LESS 1/2 AC CYCLE | LESS 15 PF         | 12 g       |

**Parts No.**

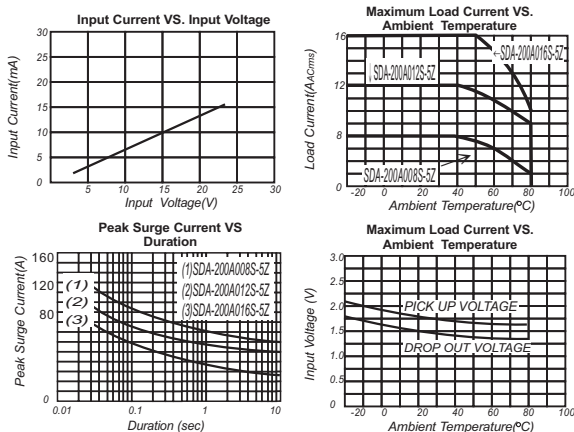
**SDA-200A008S-5Z**



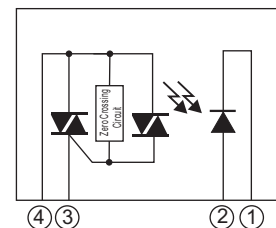
**Outline Dimensions (Unit : mm)**



**Characteristic Curves**



**Equivalent Circuit**



1. Input Circuit
2. Photo Detector
3. Zero-Crossing Circuit
4. Output Circuit