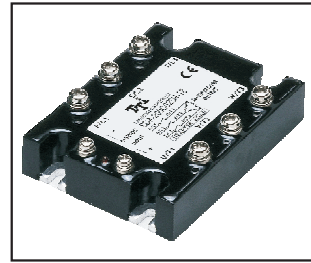


SDA SERIES SOLID STATE RELAY

SDA-200C025H-1Z
SDA-200C040H-1Z
SDA-200C050H-1Z
SDA-200C075H-1Z
SDA-200C090H-1Z
SDA-200C100H-1Z

DC Control AC Loading S.S.R



Specifications

| MODEL SERIES NO. | CONTROL VOLTAGE | MUST TURN OFF VOLTAGE | INPUT IMPEDANCE | LOADING CURRENT | LOADING VOLTAGE | MIN BLOCKING VOLTAGE | MAX OFF-STATE LEAKAGE | FREQUENCY RANGE | MAX 1-CYCLE PEAK SURGE |
|------------------|-----------------|-----------------------|-----------------|-----------------|-----------------|----------------------|-----------------------|-----------------|------------------------|
| SDA-200C025H-1Z | 6 - 32 VDC | MAX 3.0 VDC | 1.5 K Ω | 25A | 24 ~ 280VAC | 600VAC | LESS 10 mA | 47-70HZ | 250A |
| SDA-200C040H-1Z | 6 - 32 VDC | MAX 3.0 VDC | 1.5 K Ω | 40A | 24 ~ 280VAC | 600VAC | LESS 10 mA | 47-70HZ | 400A |
| SDA-200C050H-1Z | 6 - 32 VDC | MAX 3.0 VDC | 1.5 K Ω | 50A | 24 ~ 280VAC | 600VAC | LESS 10 mA | 47-70HZ | 500A |
| SDA-200C075H-1Z | 6 - 32 VDC | MAX 3.0 VDC | 1.5 K Ω | 75A | 24 ~ 280VAC | 600VAC | LESS 10 mA | 47-70HZ | 750A |
| SDA-200C090H-1Z | 6 - 32 VDC | MAX 3.0 VDC | 1.5 K Ω | 90A | 24 ~ 280VAC | 600VAC | LESS 10 mA | 47-70HZ | 900A |
| SDA-200C100H-1Z | 6 - 32 VDC | MAX 3.0 VDC | 1.5 K Ω | 100A | 24 ~ 280VAC | 600VAC | LESS 10 mA | 47-70HZ | 1000A |

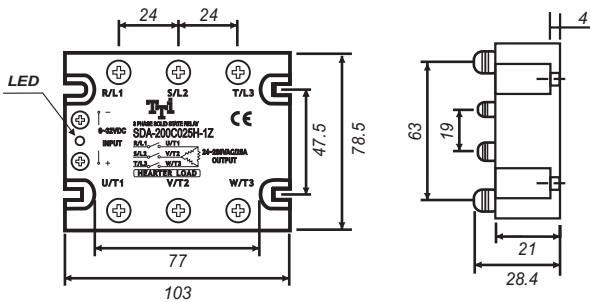
| MODEL SERIES NO. | MAX OFF STATE dv/dt | MAX ON-STATE VOLTAGE DROP | ISOLATE IMPEDENCE | DIELECTRIC STRENGTH INPUT-OUTPUT | DIELECTRIC STRENGTH INPUT-OUTPUT-CASE | TURN ON TIME | TURN OFF TIME | CAPACITANCE IN-OUT | WEIGHT (g) |
|------------------|---------------------|---------------------------|--------------------------|----------------------------------|---------------------------------------|--------------|-------------------|--------------------|------------|
| SDA-200C025H-1Z | 500 V/ μ sec | 1.6Vrms | 10 ⁹ Ω | 4000 VACrms | 4000 VACrms | LESS 2 msec | LESS 1/2 AC CYCLE | LESS 473 PF | 400 g |
| SDA-200C040H-1Z | 500 V/ μ sec | 1.6Vrms | 10 ⁹ Ω | 4000 VACrms | 4000 VACrms | LESS 2 msec | LESS 1/2 AC CYCLE | LESS 473 PF | 400 g |
| SDA-200C050H-1Z | 500 V/ μ sec | 1.6Vrms | 10 ⁹ Ω | 4000 VACrms | 4000 VACrms | LESS 2 msec | LESS 1/2 AC CYCLE | LESS 473 PF | 400 g |
| SDA-200C075H-1Z | 500 V/ μ sec | 1.6Vrms | 10 ⁹ Ω | 4000 VACrms | 4000 VACrms | LESS 2 msec | LESS 1/2 AC CYCLE | LESS 473 PF | 400 g |
| SDA-200C090H-1Z | 500 V/ μ sec | 1.6Vrms | 10 ⁹ Ω | 4000 VACrms | 4000 VACrms | LESS 2 msec | LESS 1/2 AC CYCLE | LESS 473 PF | 400 g |
| SDA-200C100H-1Z | 500 V/ μ sec | 1.6Vrms | 10 ⁹ Ω | 4000 VACrms | 4000 VACrms | LESS 2 msec | LESS 1/2 AC CYCLE | LESS 473 PF | 400 g |

Parts No.

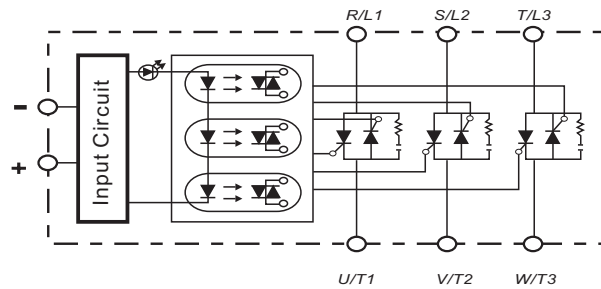
SDA-200C025H-1Z

Switching Type : Z = Zero Crossing
Packing : 1 = Screw Type
Phase : H = Heater Load
Loading Current : 025 = 25A, 040 = 40A, 050 = 50A
 075 = 75A, 090 = 90A, 100 = 100A
Control Voltage : C = 6-32VDC
Loading Voltage : 200 = 24~280VAC
Control Type : DA = DC Control AC
S = S.S.R

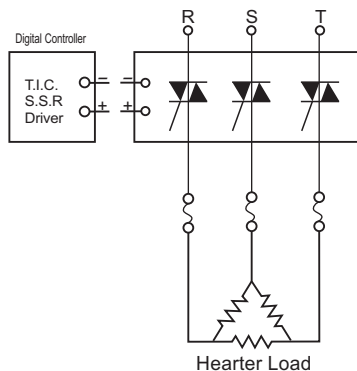
Outline Dimensions (Unit : mm)



Equivalent Circuit

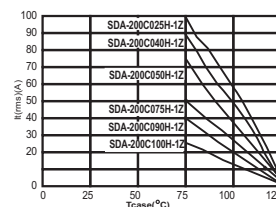


Example : 3 ϕ S.S.R Application



Characteristic Curves

RMS On-state Current Versus Case Temperature



Non Repetitive Surge On-state Current Versus Number Of Cycles

