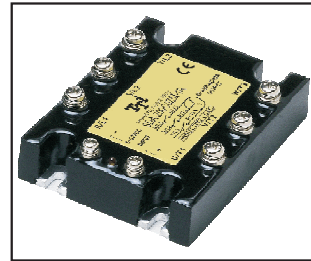


SDA SERIES SOLID STATE RELAY

**SDA-200C025I-1R
 SDA-200C040I-1R
 SDA-200C050I-1R
 SDA-200C075I-1R
 SDA-200C090I-1R
 SDA-200C100I-1R**



DC Control AC Loading S.S.R

Specifications

MODEL SERIES NO.	CONTROL VOLTAGE	MUST TURN OFF VOLTAGE	INPUT IMPEDANCE	LOADING CURRENT	LOADING VOLTAGE	MIN BLOCKING VOLTAGE	MAX OFF-STATE LEAKAGE	FREQUENCY RANGE	MAX 1-CYCLE PEAK SURGE
SDA-200C025I-1R	6 - 32 VDC	MAX 3.0 VDC	1.5 KΩ	25A	24 ~ 280VAC	600VAC	LESS 10 mA	47-70HZ	250A
SDA-200C040I-1R	6 - 32 VDC	MAX 3.0 VDC	1.5 KΩ	40A	24 ~ 280VAC	600VAC	LESS 10 mA	47-70HZ	400A
SDA-200C050I-1R	6 - 32 VDC	MAX 3.0 VDC	1.5 KΩ	50A	24 ~ 280VAC	600VAC	LESS 10 mA	47-70HZ	500A
SDA-200C075I-1R	6 - 32 VDC	MAX 3.0 VDC	1.5 KΩ	75A	24 ~ 280VAC	600VAC	LESS 10 mA	47-70HZ	750A
SDA-200C090I-1R	6 - 32 VDC	MAX 3.0 VDC	1.5 KΩ	90A	24 ~ 280VAC	600VAC	LESS 10 mA	47-70HZ	900A
SDA-200C100I-1R	6 - 32 VDC	MAX 3.0 VDC	1.5 KΩ	100A	24 ~ 280VAC	600VAC	LESS 10 mA	47-70HZ	1000A

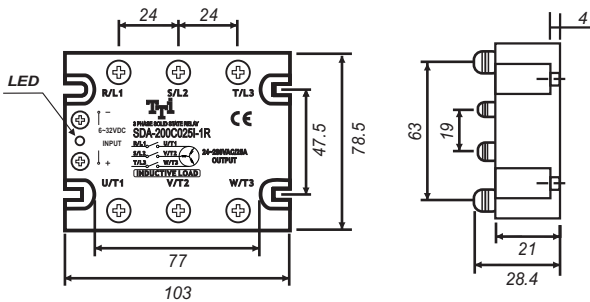
MODEL SERIES NO.	MAX OFF STATE dv/dt	MAX ON-STATE VOLTAGE DROP	ISOLATE IMPEDENCE	DIELECTRIC STRENGTH INPUT-OUTPUT	DIELECTRIC STRENGTH INPUT,OUTPUT-CASE	TURN ON TIME	TURN OFF TIME	CAPACITANCE IN-OUT	WEIGHT (g)
SDA-200C025I-1R	500 V/μsec	1.6Vrms	10 ⁹ Ω	4000 VACrms	4000 VACrms	LESS 2 msec	LESS 1/2 AC CYCLE	LESS 473 PF	400 g
SDA-200C040I-1R	500 V/μsec	1.6Vrms	10 ⁹ Ω	4000 VACrms	4000 VACrms	LESS 2 msec	LESS 1/2 AC CYCLE	LESS 473 PF	400 g
SDA-200C050I-1R	500 V/μsec	1.6Vrms	10 ⁹ Ω	4000 VACrms	4000 VACrms	LESS 2 msec	LESS 1/2 AC CYCLE	LESS 473 PF	400 g
SDA-200C075I-1R	500 V/μsec	1.6Vrms	10 ⁹ Ω	4000 VACrms	4000 VACrms	LESS 2 msec	LESS 1/2 AC CYCLE	LESS 473 PF	400 g
SDA-200C090I-1R	500 V/μsec	1.6Vrms	10 ⁹ Ω	4000 VACrms	4000 VACrms	LESS 2 msec	LESS 1/2 AC CYCLE	LESS 473 PF	400 g
SDA-200C100I-1R	500 V/μsec	1.6Vrms	10 ⁹ Ω	4000 VACrms	4000 VACrms	LESS 2 msec	LESS 1/2 AC CYCLE	LESS 473 PF	400 g

Parts No.

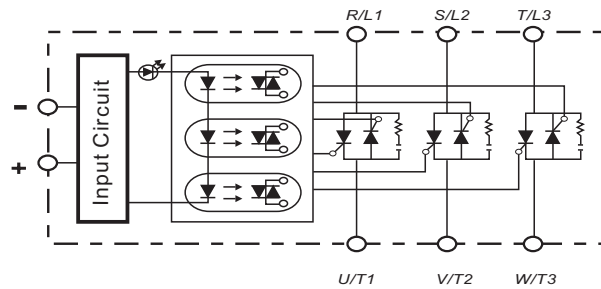
SDA-200C025I-1R

Switching Type : R = Random Switching
 Packing : 1 = Screw Type
 Phase : I = Inductive Load
 Loading Current : 025 = 25A, 040 = 40A, 050 = 50A
 075 = 75A, 090 = 90A, 100 = 100A
 Control Voltage : C = 6-32VDC
 Loading Voltage : 200 = 24~280VAC
 Control Type : DA = DC Control AC
 S = S.S.R

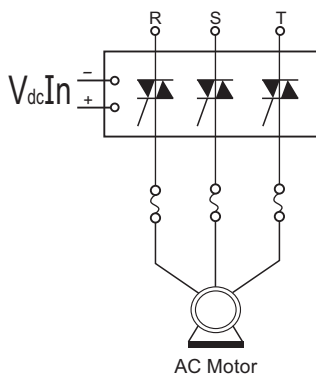
Outline Dimensions (Unit : mm)



Equivalent Circuit

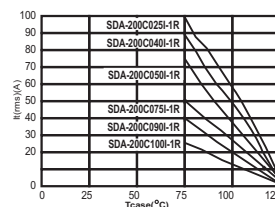


Example : 3Ø S.S.R Application



Characteristic Curves

RMS On-state Current Versus Case Temperature



Non Repetitive Surge On-state Current Versus Number Of Cycles

